

EU Distributor



CERAMICA COLLET S.A.
Pol. Ind. L'Olana s/n
E-08292 Esparreguera - Barcelona (Spain)
www.sio-2.com/store

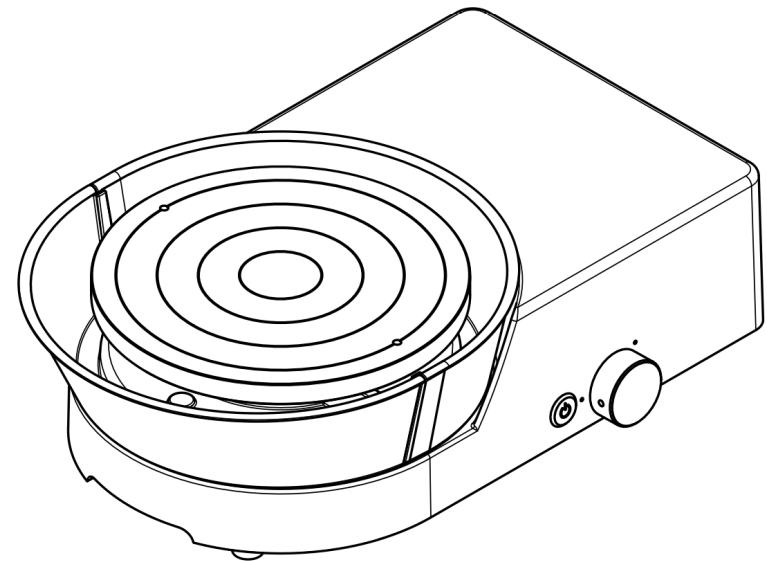
quark

QUARK GLOBAL PRIVATE LIMITED
NO: E-4, MEPZ SPECIAL ECONOMIC ZONE,
G & J COMPLEX, CHENNAI, TAMIL NADU,
INDIA 600 045.
www.quarkwheel.com

Instruction Manual
V1.4

quark

Quark S+ Potters' Wheel



Read before use



RoHS FC CE

WHAT'S INSIDE

- Safety Instructions
- Product Specification
- In the Box
- Getting Started
- LED Indications
- Maintenance
- Troubleshooting
- Warranty
- Trademark and Legal Statement
- Certifications

Thank
you!

Enjoy creating beautiful art pieces with Quark S+, a powerful, portable pottery wheel designed to be your perfect creative companion.

Quark wheels are manufactured to meet the highest standards of performance and safety. We wish you a lot of happy and creative years with Quark.

Before using the product, please read this reference manual thoroughly to understand the correct and safe way to operate Quark Wheel. By using this product, you hereby agree that you have fully read and understood all contents of this manual. The manufacturer accepts no liability for any damage or injury caused by operations that contradict this manual.

The manufacturer reserves the right to constantly adjust the contents described in the manual. This manual is subject to update without prior notice. Please visit our website www.quarkwheel.com for the latest version.

This manual is applicable for

S1B/S2B/S3B/S4B
S1G/S2G/S3G/S4G
S1I/S2I/S3I/S4I


Note

Certifications

Federal Communications Commission (FCC) Compliance Statement USA



The enclosed device complies with part 15 of the FCC rules. Operation is subject to the following two conditions: (1) This device may not cause harmful interference, and (2) this device must accept any interference received, including interference that may cause undesired operation.

 This equipment has been tested and found to comply with the limits for a Class A digital device, pursuant to part 15 of the FCC Rules. These limits are designed to provide reasonable protection against harmful interference when the equipment is operated in a commercial environment. This equipment generates, uses, and can radiate radio frequency energy, and if not installed and used in accordance with the instruction manual, may cause harmful interference to radio communications. Operation of this equipment in a residential area is likely to cause harmful interference. In such a case, the user will be required to correct the interference at their own expense.

European Union Compliance Statement Important WEEE Information



This marking indicates that this product should not be disposed with other household wastes. To prevent possible harm to the environment or human health from uncontrolled waste disposal, recycle it to promote the sustainable reuse of material resources. To return your used device for safe environmental recycling, please contact us.

Declaration of Conformity



The company "Quark Global Private Limited" hereby declares that this device complies with the Low Voltage Directive (LVD) 2014/35/EU, Electromagnetic Compatibility Directive (EMC) 2014/30/EU and RoHS (EU 2015/863) Regulations.

The declaration of conformity can be viewed at www.quarkwheel.com

The following symbols are used in the user manual and/or on the product:



Electrical Shock hazard.



Electrical Ground.



Risk of personal injury, loss of life or damage to the unit.



Complies with European health, safety, and environmental protection standards



Built in accordance with the Restriction of Hazardous Substances Directive, limiting the use of hazardous elements in electrical and electronic components.



Complies with the standards and rules of Federal Communications Commission.



This product should not be disposed of with other household wastes. To prevent possible harm to the environment or human health from uncontrolled waste disposal, recycle it to promote the sustainable reuse of materials resources. Contact us to return your used device for safe environmental recycling.





Safety Instructions

Failure to follow the safety warnings and instructions for proper setup, use, and care of your unit may result in electric shock, fire and/or serious injury. Save this manual for future reference.

- Do not allow children to use the wheel without supervision. Keep tools and small parts away from children.
- Do not allow individuals who are not familiar with the product to use it without supervision.
- Do not operate the unit when you are ill or under the influence of alcohol, drugs or medicine.
- Be cautious with long hair, jewellery, and loose-fitting clothing, as these may get caught while the wheel is in action.
- Take off rings or metal watchbands when working on the unit.
- Place the unit in a protected location where no one can step on or trip over the power cord, and where the power cord will not be damaged. If the power cord is damaged, do not operate the unit or try to fix it yourself. Contact service support immediately.
- **Always plug the unit directly into an electrical outlet. Do not operate the unit using an extension cord.**
- **Do not remove the splash pan while the unit is running.**
- **Unplug the unit from the electrical outlet before cleaning.**
- If the unit does not operate as it should, refer troubleshooting section in this manual.
- **There are no user-serviceable parts inside. Contact us for service support at support@quarkwheel.com.**



Warranty Exclusions

This Warranty does not cover and excludes damage to your wheel if:

- The unit is physically damaged.
- The unit is modified, maintained, or repaired by a party not authorised by manufacturer.
- The unit is installed, maintained, and operated in ways other than as recommended by the manufacturer in this manual.
- The unit is faulty or damaged due to improper installation or connections, electrical systems burns, or damage due to high voltage or surge from the power grid.
- Misuse or unauthorised modification of the product.
- Malfunctions or damage resulting from insects, natural calamities, fire and/or accidents.
- The model number, serial number, warranty stickers, or warranty seal have been removed or tampered with.
- Running the unit with spare parts not authorised by the manufacturer.

Contact -

Service E-mail: support@quarkwheel.com , warranty@quarkwheel.com
Direct Line : +91 7305778092

The product is designed and manufactured by:

QUARK GLOBAL PRIVATE LIMITED

NO: E-4, MEPZ SPECIAL ECONOMIC ZONE,
G & J COMPLEX, CHENNAI, TAMIL NADU,
INDIA 600 045.

Trademark and Legal Statement

Quark is the registered trademark of Quark Global Private Limited. The manufacturer reserves the rights of the trademarks referred to in this manual and the right to change the design and functionality of the Quark S+ product and documentation without prior notice.

Troubleshooting

Wheel head does not rotate.

1. Check if the unit is plugged in properly to the power supply.
2. Ensure the Enable switch is turned 'ON'
3. Ensure the speed control knob is set to minimum before turning the wheel ON.

Wheel head stops rotating while working

Reason 1: The unit could be overloaded. Remove some clay and restart the unit.

Reason 2: Thermal overload. Refer page 10.

If the issue persists, write to us at support@quarkwheel.com.

LED error indications

Refer page 11.

Warranty

The product is covered under warranty against any manufacturing defect or workmanship for three years from the date of purchase. Any defect arising during the warranty period, Quark undertakes to repair and/or replace any defective parts and correct any problems resulting therefrom, FREE OF CHARGE.

Warranty Period : **5 years**

- **Warranty is applicable only when wheel has been purchased from quarkwheel.com or authorized resellers.**
- **The Warranty is NOT transferable from one user to another.**



Warning

This unit produces electromagnetic field during operation, which may under some circumstances, interfere with active or passive medical implants. To reduce the risk of serious or fatal injury, persons with medical implants should consult their physician and the medical implant manufacturer before operating this unit.



Electrical Safety

Always observe the safety regulations applicable in your country to reduce the risk of fire, electric shock and personal injury.



After unplugging the unit, wait until the LED on the wheel turns off before cleaning/storing it.



Always check that the voltage of the power supply corresponds to the voltage mentioned at the base of your unit.



Class I Electrical Equipment requires an Earthed Electrical outlet.



- **Use only a grounded electrical outlet.** If you are unsure whether the outlet is grounded, check with a qualified electrician.



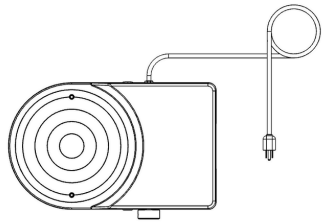
- **An electrical outlet with poor earthing may lead to electric shock.**



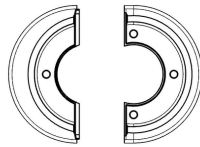
Product Specification

| | | |
|---------------|---|--------------------------|
| Model | : | Quark S+ |
| Input Voltage | : | 220-240 V AC Φ 50Hz |
| Current | : | Rated -0.2 A, Peak -3.0A |
| Output Power | : | 250 W |
| Drive System | : | BLDC Motor |
| Speed | : | 50RPM - 250RPM |
| Dimensions | : | 446mm x 296mm x 132mm |
| Weight | : | 11.5 KG (25.3lbs) |
| IP Rating | : | IP32 |
| FCC ID | : | SQGBL652 |

In the box

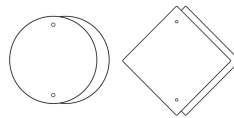


A

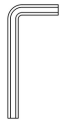


B

C



D



E



F



G

- A : Potter's Wheel x 1
 B : Splash Pan (Small) x 1
 C : Splash Pan (Large) x 1
 D : Bat x4
 E : Allen Key x 1
 F : Bat Screw x 2
 G : User Manual x 1

Maintenance



Cleaning

- **Make sure the unit is powered OFF and the power cord is unplugged before cleaning.**
- **After unplugging the unit, wait until the LED on the wheel turns off before cleaning/storing it.**
- Ageing and wear of internal components due to various environmental factors (such as temperature, humidity, dust, etc.), will affect the performance of the product. Kindly maintain with care.
- Do not wash the unit with a power washer or hose.
- Do not immerse or soak the unit in water.
- Clean the unit regularly after every use with a damp sponge or soft cloth.
- Do not use any cleaning solvents such as gasoline, alcohol, ammonia, etc to clean the unit. These chemicals can damage the metal and plastic parts.
- **The surface of the magnets in the splash pan is coated with Epoxy. Please do not scratch or peel off this layer.**



Storage

- Turn off and unplug the unit when not in use.
- Touching the plug with wet hands may result in electrical shock.
- Do not stack heavy objects on the wheel head or on the plastic body.
- Store the unit horizontally on an even surface. Do not place or store the unit in any other orientation.
- Store the unit in a cool, dry place.
- Use the holding grooves provided at the front and the back of the wheel while lifting to prevent accidents.
- Negligence or usage of the unit for non-intended purposes may cause damage to the system and lead to accidents. Handle it with care.



4. Understanding LED indications

The unit has two switches: the Enable and the Reverse Switch.

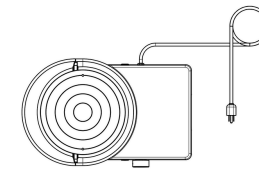
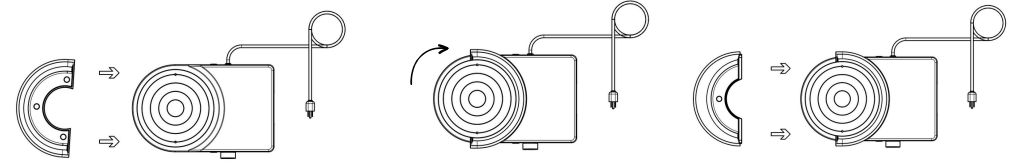
The Reverse switch's LED will turn ON if the wheel is set to turn clockwise, and turns OFF when the wheel is set to turn anti-clockwise.

The enable switch's LED indication pattern is described below -

| LED Indication | Remarks |
|-------------------------------------------------------------------|-------------------------------------------------------------------------------------------------------------------------------------------------------------------------------------------------------------------------------------------------------------------------------------------------------------------|
| LED OFF | Turn on the Enable switch to run the wheel |
| LED ON | Ready to run |
| Slow blinks | Ready to run. Set the speed control knob to the desired position. Wheel is searching for a pedal. Refer to Quark Pedal manual for pairing instructions. |
| Breathing | Wheel-Pedal pairing successful; Wheel is ready to run. Speed control knob is disabled, Wheel can be controlled with the Pedal only. |
| ERROR 1 : LED blinks thrice and turns off - this pattern repeats. | Bring back the speed control knob to the minimum position (If using Quark Pedal, set the pedal position to MINIMUM). LED changes to solid white. Wheel is ready to run. If the wheel is not working, a thermal overload may have occurred. Turn off the unit, wait for a few seconds, and then turn it on. |
| ERROR 2: Fast blinks | Wheel-Pedal pairing error. Restart the wheel and the pedal. Thermal overload. Do not do anything - wait until the unit reaches the previous condition, i.e. LED blinks thrice and goes off. Then turn the unit off and wait for a few seconds before turning it back on. |

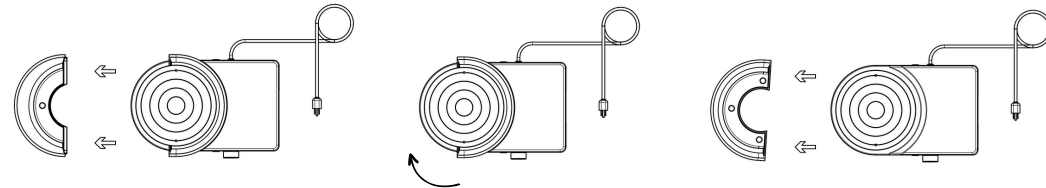
Getting started

1A. Placing the splash pan



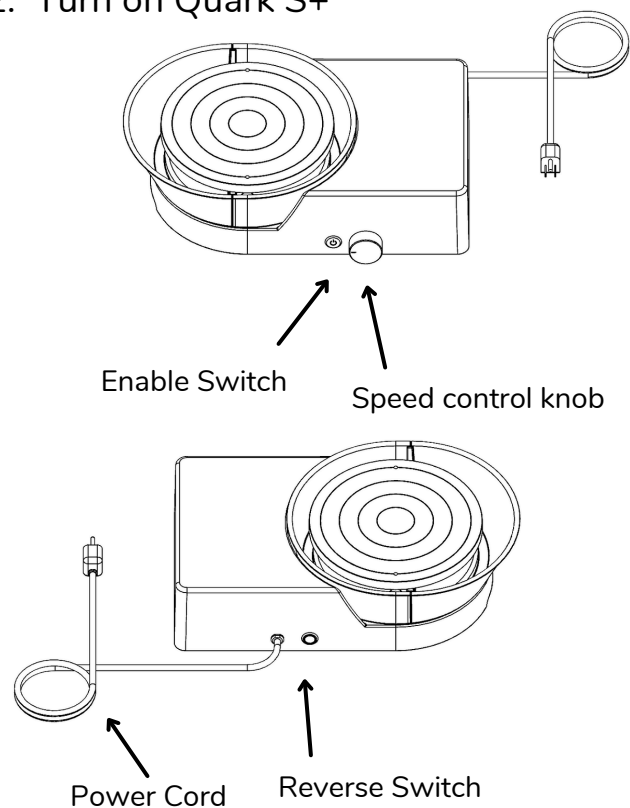
1. Insert the large splash pan as shown.
2. Rotate it clockwise 180 degrees and set it in place.
3. Place the small splash pan, so that it joins the large splash pan.

1B. Removing the splash pan



1. Remove the small splash pan as shown.
2. Rotate the large splash pan anti-clockwise 180 degrees and remove it.

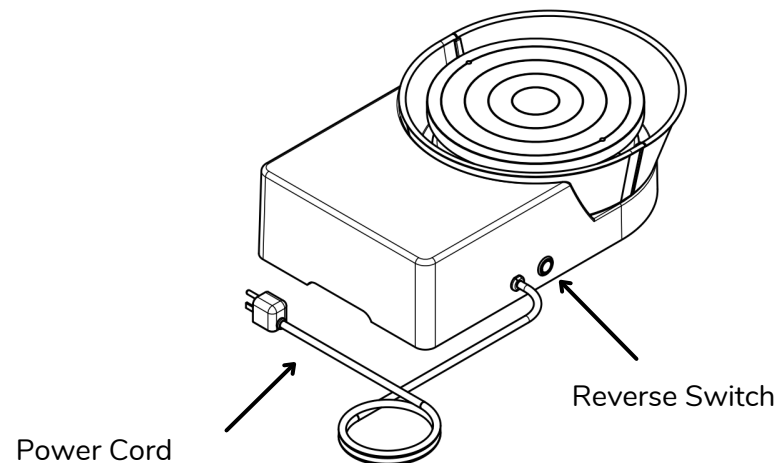
2. Turn on Quark S+



1. Place the unit on a rigid surface.
2. Plug the wheel's power cord into a suitable power source.
3. Keep the **speed control knob in the minimum position**.
4. Press the Enable Switch to turn the unit 'ON'. The **LED turns on/ slow blinks** to indicate the unit is now on.
5. Turn the knob to your preferred wheel rotation speed.

Note: The Enable switch and the Reverse switch are soft switches, integrated into Quark Wheels to introduce a touch-sensitive interface. Differing from conventional switches, the soft switch responds to gentle taps, delivering a tactile and contemporary user experience. Always check the LED indicator for Quark Wheel's status, they provide visual confirmation of its operational state (Details on page 10).

3. Reversing the direction of the wheel head



By default, the wheel rotates anti-clockwise. (i.e., The Reverse Switch is turned off)

To change the direction of rotation -

1. Bring the speed control knob to minimum position.
2. Turn the unit OFF' using Enable Switch.
3. Press the Reverse Switch.
4. Turn 'ON' the unit using Enable Switch.

The wheel head is now all set to rotate clockwise. **The Reverse Switch is now illuminated to indicate that it is ON.**



The direction of the rotation CANNOT be changed when the device is running.